

AUTOMATION FEED SYSTEM

PROJECT NUMBER:

PRODUCT:
 PP30 CONTAINER

1 HP, 1500# force
 100% duty cycle Heavy-Duty gyrator
 230-460VAC / 3P / 60Hz

REV	DATE	AUTHOR	DESCRIPTION
A	2/22/2021	BK	

SCALES STATED ON
 DRAWINGS ARE VALID
 ONLY WHEN PLOTTED 11"
 X 17"

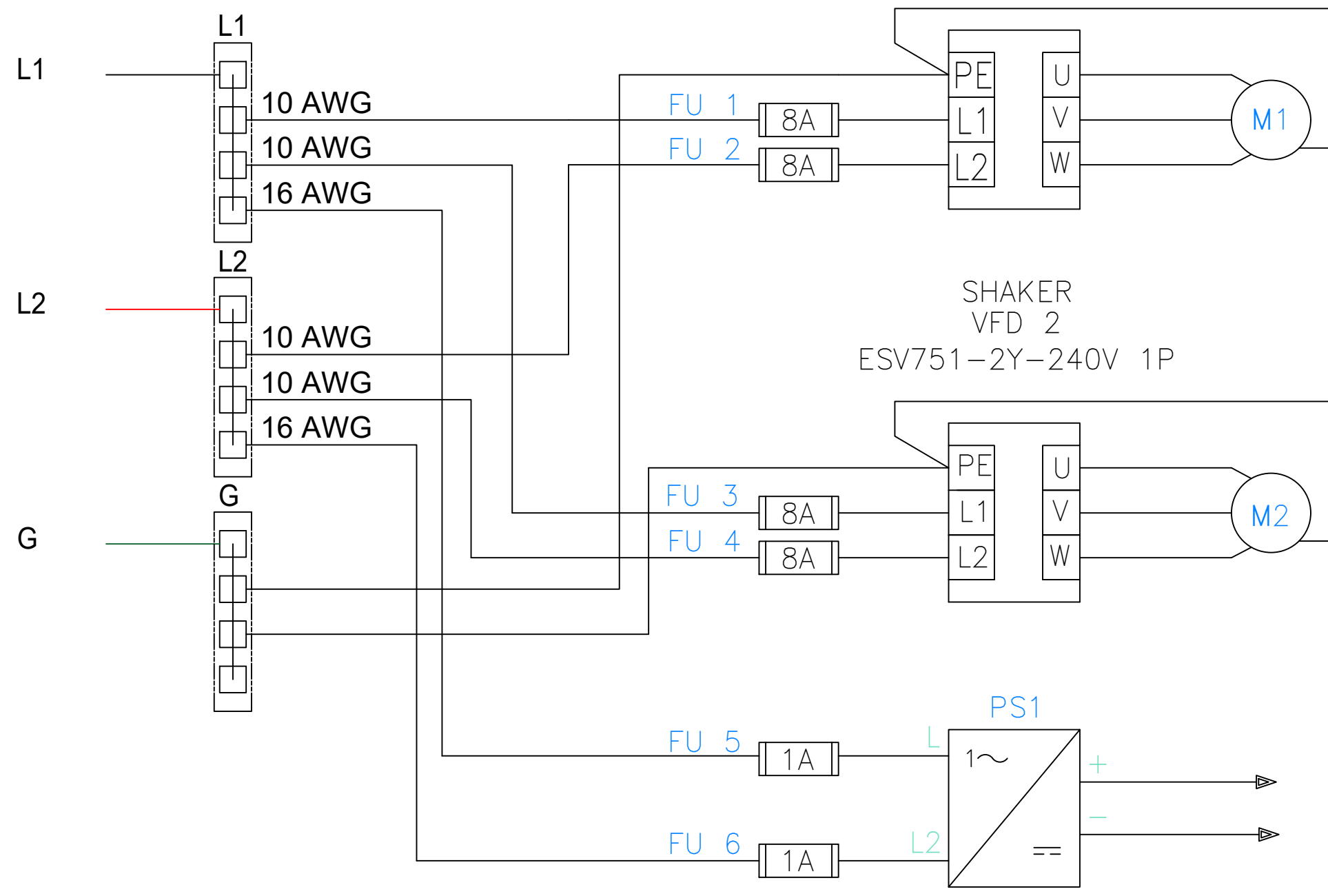
AUGER
 VFD 1
 ESV751-2Y-240V 1P

1 HP NORD Drive
 230VAC / 460 / 3P / 60Hz

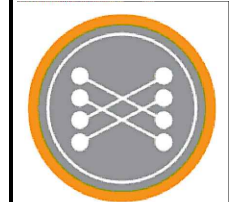
SHAKER
 VFD 2
 ESV751-2Y-240V 1P

1 HP, 1500# force
 100% duty cycle Heavy-Duty gyrator
 230-460VAC / 3P / 60Hz

12VDC POWER SUPPLY



NOTE: ALL WIRE 600V RATED UNLESS OTHERWISE NOTED.



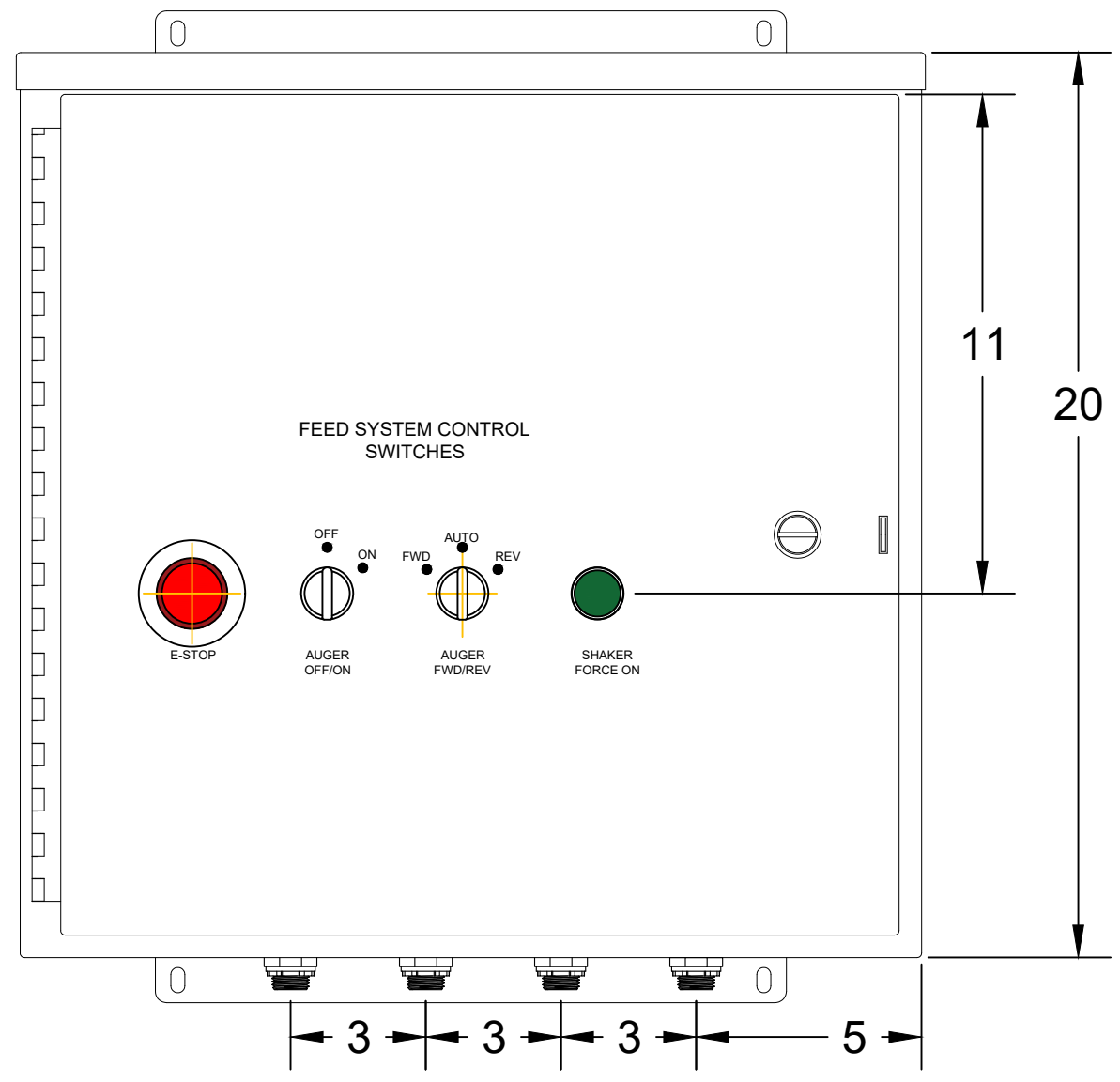
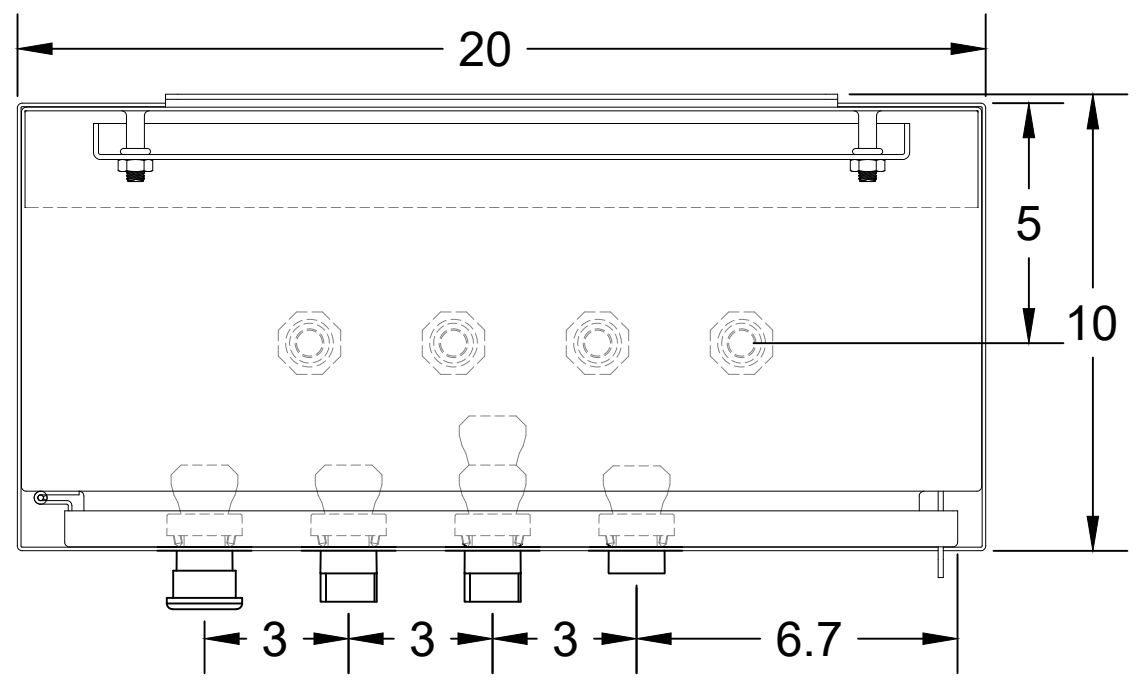
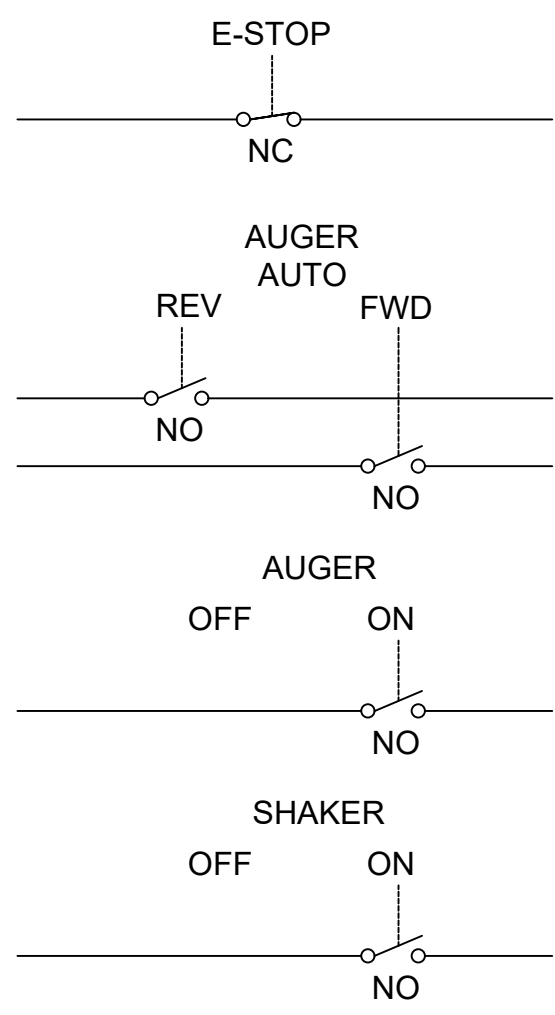
AUTOMATION FEED SYSTEM

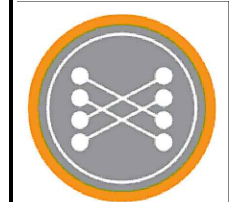
PROJECT NUMBER:

PRODUCT:
PP30 CONTAINER

REV	DATE	AUTHOR	DESCRIPTION
A	2/22/2021	BK	

SCALES STATED ON
 DRAWINGS ARE VALID
 ONLY WHEN PLOTTED 11
 X 17





DRAFT
 REV 2

AUTOMATION FEED SYSTEM

PROJECT NUMBER:

PRODUCT:
PP30 CONTAINER

REV	DATE	AUTHOR	DESCRIPTION
A	2/22/2021	BK	

SCALES STATED ON
 DRAWINGS ARE VALID
 ONLY WHEN PLOTTED 11"
 X 17"

P-4
 ENCLOSURE
 PANEL LAYOUT

